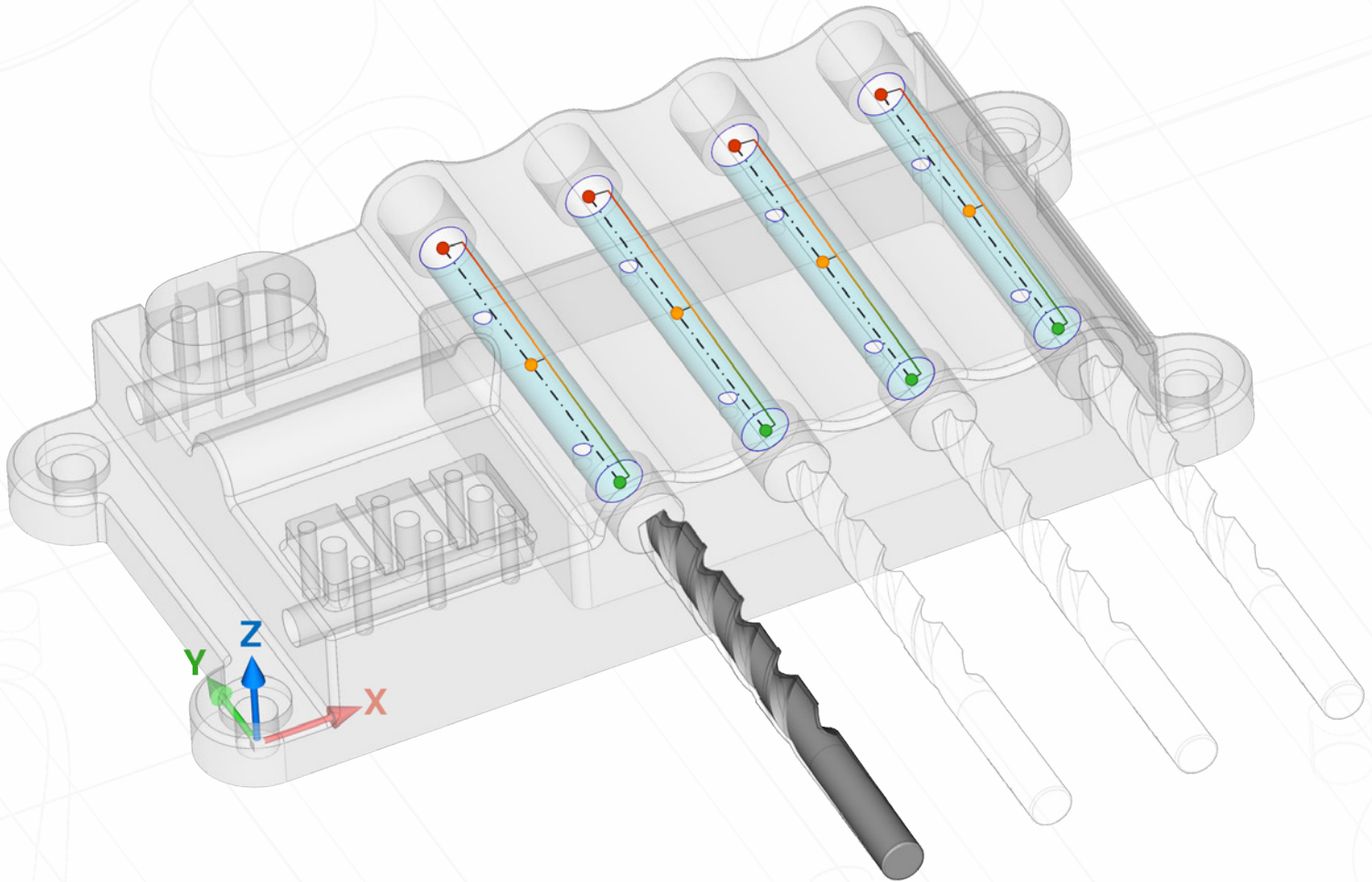




EVOLVE

Manufacturing



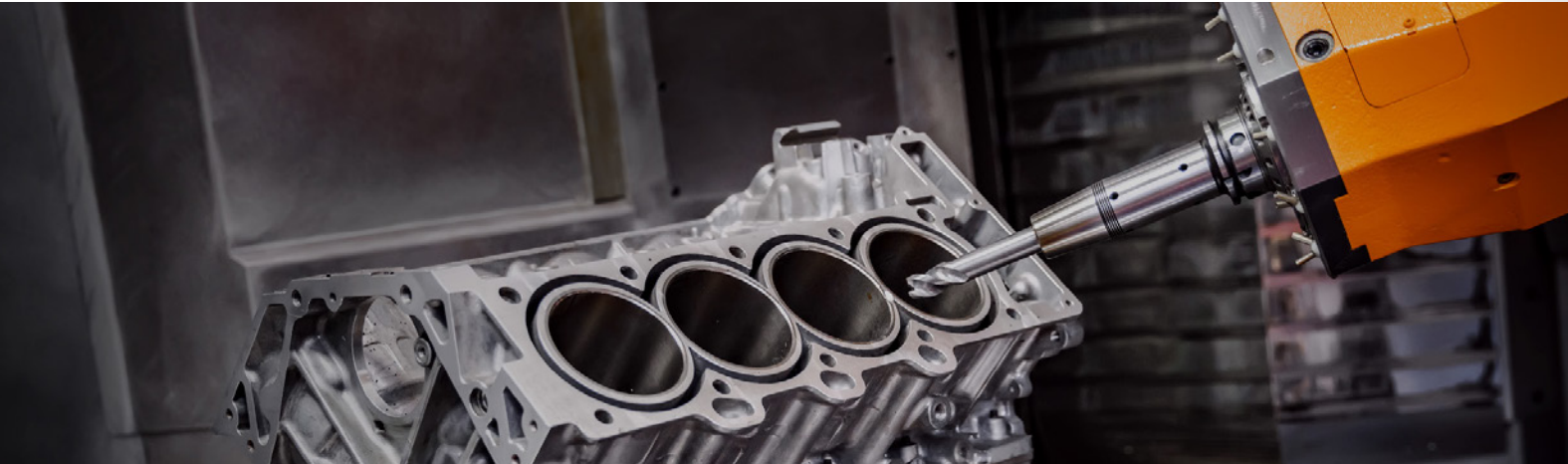
EVOLVE Suite Model-Based Family of Software





EVOLVE Manufacturing

Part of the EVOLVE Software Suite

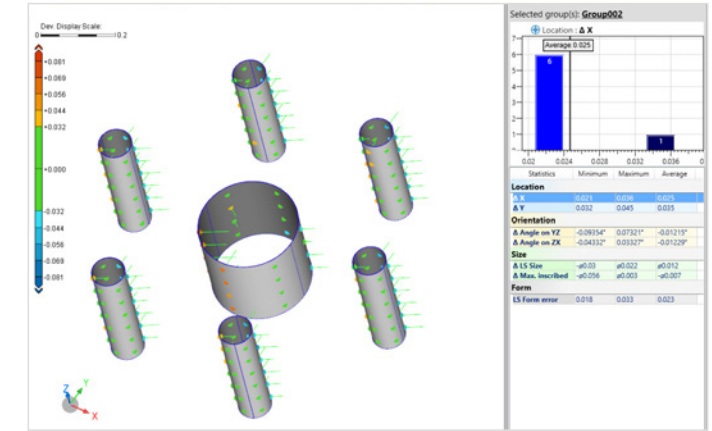


The Manufacturing Process

1 Grouping

EVOLVE Manufacturing groups part features to help identify possible manufacturing issues.

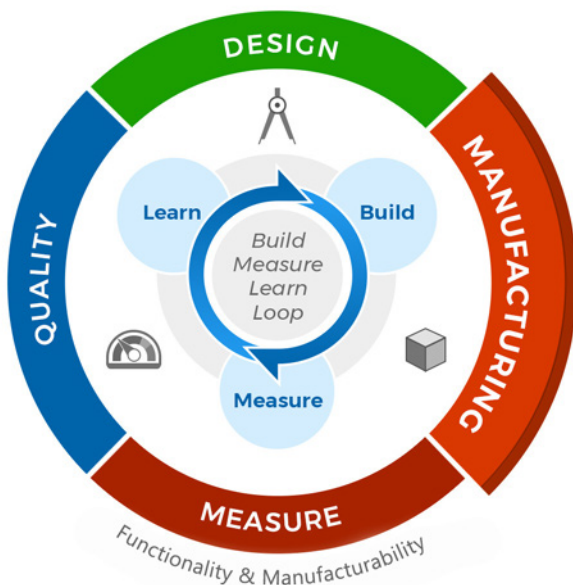
The groups are determined by different manufacturing steps such as operations, tools, alignments, or are imported from CAM.



EVOLVE Suite

The EVOLVE software suite from KOTEM optimizes design, production and inspection processes enabling manufacturers to shorten product design & development time, improve quality, and reduce costs through improved efficiency.

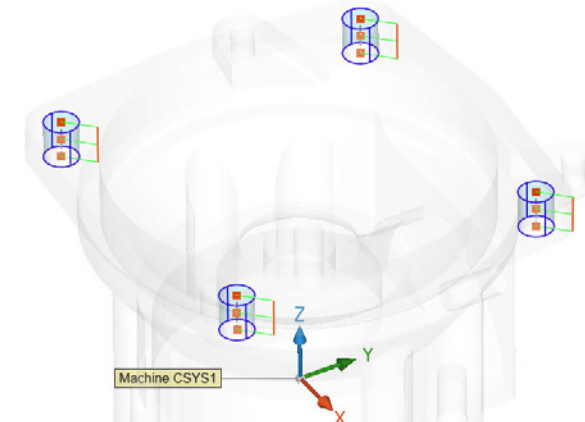
With its fully automatic GD&T evaluation of design tolerances, an annotated digital three-dimensional (3D) model of a part serves as the authoritative information source throughout a product's lifecycle in a Model Based Enterprise (MBE).



EVOLVE Manufacturing

EVOLVE Manufacturing graphically compares measurement results relative to design or manufacturing datums, identifies error characteristics and simulates how they impact GD&T tolerances based on changes. Understand why a part failed during inspection and which corrective actions can correct and keep your manufacturing processes under control.

EVOLVE Manufacturing is a powerful 2D/3D tool which uses the same measurement point cloud data as the GD&T evaluation to monitor and improve manufacturing operations. This allows correlation of the GD&T results between design and manufacturing coordinate systems.



2 Alignments

Manufacturing alignments simulate part fixturing during machining operations.

Features and groups of features are evaluated in their manufacturing alignments.

3 Error Characteristics

Point deviations from nominal are separated into 4 error categories:

Location, Orientation, Size and Form.

These categories can be used in analysis individually, as groups, or all at once.

Name	Results	Nominal	Actual	USL	LSL	Type
Cylinder004 PTOL		0	0,283	0,1	-	+
Cylinder001 PTOL		0	0,284	0,1	-	+
Cylinder002 FORM		0	0,021	0,1	-	+
Cylinder002 DIAM		ø6	ø5,941	0,1	-0,1	+
Cylinder002 PTOL		0	0,285	0,1	-	+
Cylinder001 DIAM		ø6	ø5,939	0,1	-0,1	+
Cylinder003 DIAM		ø6	ø5,941	0,1	-0,1	+
Cylinder003 PTOL		0	0,283	0,1	-	+



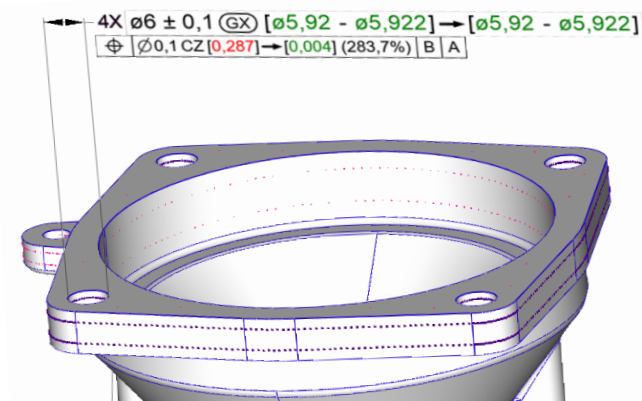
EVOLVE Design helps designers apply and verify GD&T (GPS) specifications by proofing the callouts and providing guidance directly from the standards.



EVOLVE SmartProfile provides guidance for adding or modifying part design tolerances. It combines measurement data with the CAD model of the part and automatically runs GD&T (ASME) and GPS (ISO) evaluations.



EVOLVE SPC is a full statistical process control software solution usable as a standalone product with existing measuring systems or integrated into the EVOLVE Suite.



4 Corrective Action Analysis

Powerful "What-if" simulations based on observed deviations allow prediction of the effects of applied corrective actions on the GD&T results.



KOTEM The leader in dimensional analysis software

KOTEM is the worldwide leading developer of software for dimensional analysis. The EVOLVE suite of advanced GD&T and fitting software helps manufacturers integrate quality inspection data with their manufacturing and design workflows. KOTEM is a Quality Vision International company.

QVI® (Quality Vision International) is the world's largest vision metrology company. Founded in 1945, QVI is the world leader in the application of optical, electronic and software technologies into vision and multisensor measuring systems for manufacturing quality control. To learn more about the EVOLVE suite of software solutions, go to:

www.kotem.com/evolve-suite

EVOLVE is fully compliant with all internationally accepted GD&T Standards:



ISO 1101



ASME Y14.5M-1994



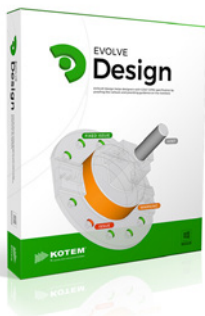
ASME Y14.5-2009



ASME Y14.5-2018

EVOLVE Suite

Check out the other members of our model based family of software:



EVOLVE Design helps designers apply and verify GD&T (GPS) specifications by proofing the callouts and providing guidance directly from the standards.



EVOLVE SmartProfile provides guidance for adding or modifying part design tolerances. It combines measurement data with the CAD model of the part and automatically runs GD&T (ASME) and GPS (ISO) evaluations.



EVOLVE SPC is a full statistical process control software solution usable as a standalone product with existing measuring systems or integrated into the EVOLVE Suite.