



## c-vision Benchtop

**c-vision** is the ultimate shop floor measuring system. Its rugged design and 60 lb load capacity put advanced automatic video measurement capability to work right where you need it.

- Telecentric dual magnification optical system with advanced digital imaging technology
- Shop hardened and convenient for use on a benchtop
- Fully automatic Measure-X<sup>®</sup> 2D measuring software
- Motorized XY table motion with precision linear position encoders and manual fine adjusters
- Manual focus with absolute digital position readout

### Benchtop Video Contour Projector<sup>®</sup>



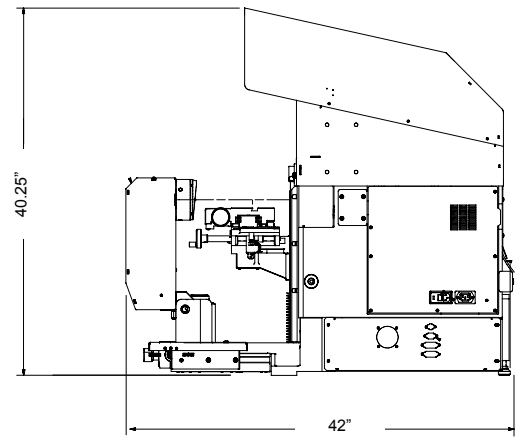
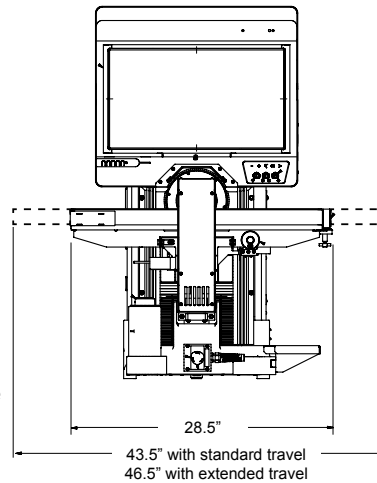
# c-vision Benchtop

## Metrology Software:

- Measure-X® 2D metrology software
- Optional: MeasureFit®, SmartReport®, SmartTree™, CAD import option for Measure-X 2D, Measure-X 2D offline

## Available Options and Accessories:

- Dual monitor optional user interface
- Bar code reader
- Fixture kit
- PSR Precision Stepper Rotary
- Overhead light shield
- Calibration standards
- Heavy duty steel weldment stand
- Ergonomic, motorized adjustable height stand
- CE mark available for systems delivered to Europe
- Moveable lamphouse
- Worktable dust cover
- Service and support contracts



Uncrated: 500 Lb  
Crated: 650 Lb

	Standard	Optional
<b>XYZ Travel Range</b>	15" x 6" x 2"	18" x 6" x 2"
<b>Helix Angle Range</b>	±7.5° with pivoting worktable assembly and zero stop	
<b>Throat Clearance</b>	10.75"	
<b>XY Scale Resolution</b>	0.00004"	
<b>XY Drive System</b>	Motorized with variable speed joystick control	
<b>Worktable</b>	Hardcoat anodized aluminum with dovetail slot	
<b>Recommended Maximum Load Capacity</b>	60 lbs	
<b>Optics</b>	Dual magnification, fully telecentric, long depth of field	
<b>FOV Size (with digital zoom)</b>	Low Mag: 3" - 0.75" High Mag: 0.75" - 0.19"	
<b>Depth of Field</b>	Low Mag: 2.0" High Mag: 0.25"	
<b>Working Distance</b>	4"	
<b>Illumination</b>	Green LED profile light and green LED through-the-lens surface light with continuously variable intensity control	Green LED oblique ring illuminator with eight selectable patterns
<b>Camera</b>	QVI® digital megapixel, black and white metrology camera	
<b>Image Processing</b>	256 level grayscale processing with 10:1 subpixel resolution	
<b>System Controller</b>	Windows® based PC with up to date processor and networking/communication ports	
<b>Power Requirements</b>	115/230 VAC, 50/60 Hz, 1Φ	
<b>Rated Environment</b>	64° - 72° F, stable at ±2° F; 30%-80% humidity; vibration <0.001g below 15 Hz	
<b>Operating Environment, Safe</b>	60° - 85° F	
<b>Stage Accuracy (E<sub>2</sub>)*</b>	0.0003 + 0.01L / 1000"	
<b>Field of View Accuracy**</b>	Low Mag: 0.00025" High Mag: 0.00010"	

\*Where L = measuring length in inches. XY axis artifact: QVI calibration reticle P/N 428886.  
\*\*QVI Calibration artifact P/N 640133, 428886 or 623970.  
Calibration artifacts must be positioned in the standard measuring plane, defined as perpendicular to the optical axis within 0.02", and within 0.20 inches of best focus. All measurements made at high magnification. Weight not to exceed 10 pounds equally distributed on the worktable. Applies to a thermally stable system calibrated and operated within the rated environment.



1174 Grange Hall Road  
Beavercreek, OH 45430  
Phone: (937) 426-9677 • Fax: (937) 426-4816  
www.certifiedcomparator.com

